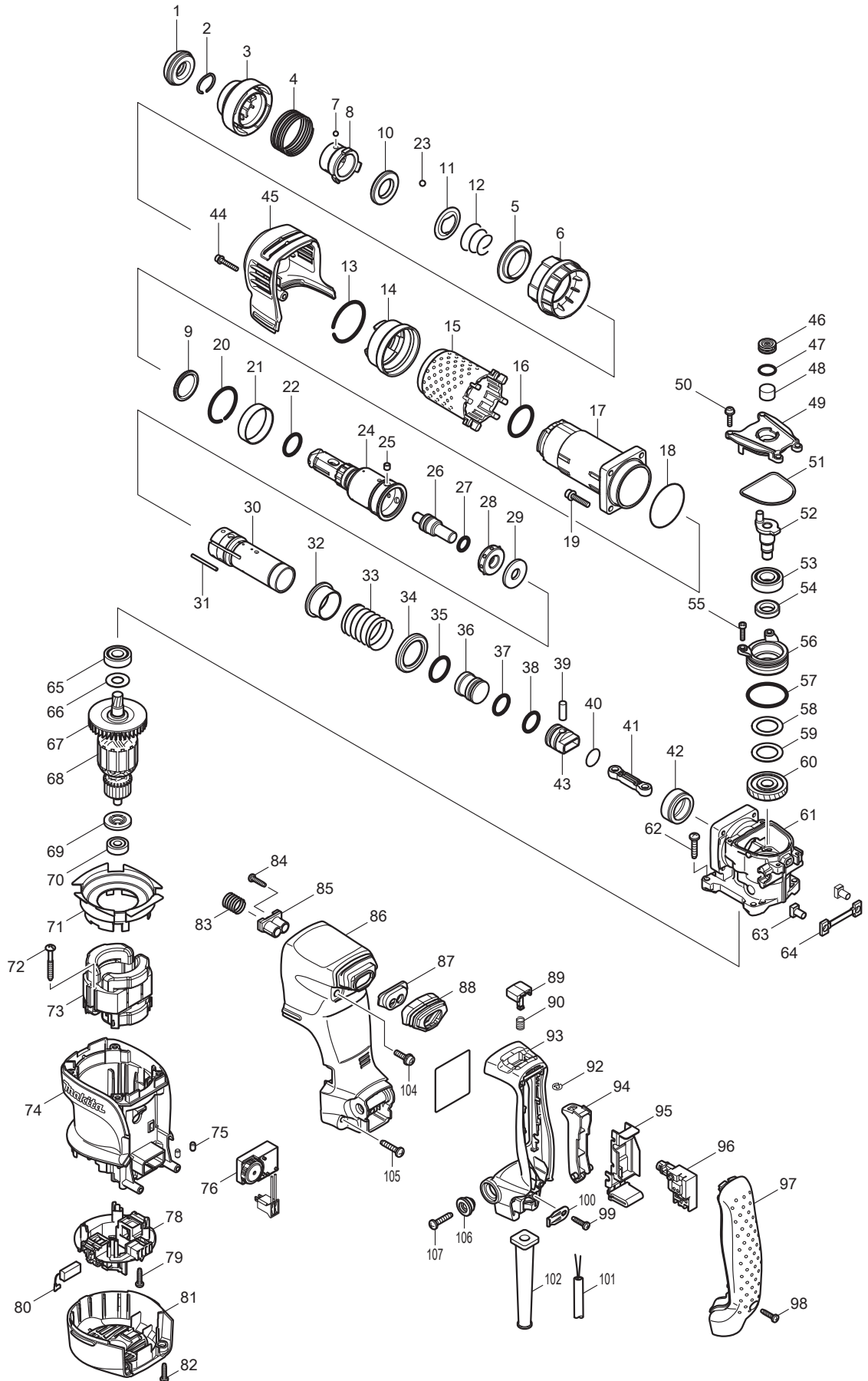




02 - 2009
HK1820
SDS-PLUS POWER SCRAPER



Item No	Type	Ref	Part No	Description	Qty	Unit
001			286283-8	CAP 38	1	PC.
002			233966-1	RING SPRING 19	1	PC.
003			450275-5	CHUCK COVER	1	PC.
004			234039-3	COMPRESSION SPRING 42	1	PC.
005			345874-5	STEEL BALL GUIDE	1	PC.
006			450274-7	CHANGE RING	1	PC.
007			216002-8	STEEL BALL 4.8	3	PC.
008			331796-5	RING 25	1	PC.
009			262142-0	URETHAN RING 26	1	PC.
010			257288-5	RING 21	1	PC.
011			345873-7	GUIDE WASHER	1	PC.
012			233916-6	CONICAL COMP. SPRING 21-29	1	PC.
013			231985-1	RING SPRING 43	1	PC.
014			450273-9	BARREL COVER SUPPORT	1	PC.
015			424066-0	BARREL COVER	1	PC.
016			213465-9	O RING 31	1	PC.
017	2		318196-6	BARREL	1	PC.
018			213606-7	O RING 48	1	PC.
019			922243-3	HEX. SOCKET HEAD BOLT M5X25	4	PC.
020			233956-4	RING SPRING 37	1	PC.
021	1		257290-8	* RING 39	1	PC.
	2		257296-6	* RING 39	1	PC.
022			213008-7	O RING 22.4	1	PC.
023	2		216022-2	STEEL BALL 7.0	2	PC.
024			324837-4	TOOL HOLDER	1	PC.
025	2		268226-2	PIN 6	3	PC.
026			324844-7	IMPACT BOLT	1	PC.
027			213128-7	O RING 12	1	PC.
028			424065-2	RUBBER RING 13	1	PC.
029			267363-9	FLAT WASHER 12	1	PC.
030	1		331804-2	* CYLINDER	1	PC.
	2		331849-0	* CYLINDER	1	PC.
031	1		256833-3	* ROD 3	3	PC.
	2		256862-6	* ROD 2.5	3	PC.
032			331799-9	RING 29	1	PC.
033			234041-6	COMPRESSION SPRING 32	1	PC.
034			345872-9	CUP WASHER 29	1	PC.
036			324847-1	STRIKER	1	PC.
037			213283-5	O-RING 18	1	PC.
038			213283-5	O-RING 18	1	PC.
039			256087-2	PIN 7	1	PC.
040			213262-3	O RING 18	1	PC.
041			450278-9	CONNECTING ROD	1	PC.
042			331797-3	SLEEVE 29	1	PC.
043			450298-3	PISTON	1	PC.
044			922148-7	HEX. SOCKET HEAD BOLT M4X25	1	PC.
045			450277-1	CRANK HOUSING COVER	1	PC.
046			419988-7	FILTER CAP	1	PC.
047			213218-6	O RING 16	1	PC.
048			443129-3	FILTER	1	PC.
049			450276-3	CRANK CAP	1	PC.
050			911133-5	PAN HEAD SCREW M4X18	4	PC.
051			424067-8	SEAL RING	1	PC.

Item No	Type	Ref	Part No	Description	Qty	Unit
052			324845-5	CRANK SHAFT	1	PC.
053			211232-6	BALL BEARING 6002LLU	1	PC.
054			213219-4	OIL SEAL 15	1	PC.
055			265490-6	HEX. SOCKET HEAD BOLT M4X16	2	PC.
056			318202-7	BEARING BOX	1	PC.
057			213513-4	O RING 39	1	PC.
058			267126-3	FLAT WASHER 22	1	PC.
059			267126-3	FLAT WASHER 22	1	PC.
060			226675-9	HELICAL GEAR 36	1	PC.
061			158523-3	CRANK HOUSING COMPLETE	1	PC.
		INC.	213415-4	O RING 28	1	PC.
062			266041-8	TAPPING SCREW 5X25	4	PC.
063			331798-1	FIX GUIDE	2	PC.
064			424068-6	CUSHION PLATE	1	PC.
065			211131-2	BALL BEARING 6001DDW	1	PC.
066			253748-5	FLAT WASHER 12	1	PC.
067			241879-2	FAN 60	1	PC.
068			513741-4	ARMATURE ASS'Y 115V	1	PC.
		INC.		Item No. 65-67,69,70		
069			681644-1	INSULATION WASHER	1	PC.
070			210005-4	BALL BEARING 608DDW	1	PC.
071			450265-8	BAFFLE PLATE	1	PC.
072			266211-9	TAPPING SCREW 5X40	2	PC.
073			625806-1	FIELD 115V	1	PC.
074			450263-2	MOTOR HOUSING	1	PC.
075			263002-9	RUBBER PIN 4	2	PC.
076			631779-8	CONTROLLER	1	PC.
078			638393-1	BRUSH HOLDER UNIT	1	PC.
079			265995-6	TAPPING SCREW 4X18	4	PC.
080	3		197244-2	CARBON BRUSH CB-351 2PC/SET W/ORIGIN	1	SET
081			450264-0	REAR COVER	1	PC.
082			265995-6	TAPPING SCREW 4X18	2	PC.
083			234022-0	COMPRESSION SPRING 14	1	PC.
084			265995-6	TAPPING SCREW 4X18	2	PC.
085			450280-2	SPRING GUIDE	1	PC.
086			450272-1	HANDLE BASE	1	PC.
087			450279-7	DUST COVER SUPPORT	1	PC.
088			424069-4	DUST COVER	1	PC.
089			450271-3	LOCK ON BUTTON	1	PC.
090			234040-8	COMPRESSION SPRING 8	1	PC.
092			961011-9	STOP RING E-4	1	PC.
093			188495-8	HANDLE SET	1	PC.
094			450269-0	SWITCH LEVER	1	PC.
095			158522-5	SWITCH HOLDER COMPLETE	1	PC.
096			650597-5	SWITCH TG71BS-1	1	PC.
097			450267-4	HANDLE COVER	1	PC.
098			265995-6	TAPPING SCREW 4X18	1	PC.
099			265995-6	TAPPING SCREW 4X18	1	PC.
100			687169-3	STRAIN RELIEF	1	PC.
101			660023-6	CORD W/PLUG 2P-18-5.0M, SJ	1	PC.
102			682572-3	CORD GUARD 8	1	PC.
103			864601-6	HK1820 NAME PLATE	1	PC.
104			911234-9	PAN HEAD SCREW M5X20	2	PC.

Item No	Type	Ref	Part No	Description	Qty	Unit
105			266041-8	TAPPING SCREW 5X25	2	PC.
106	1		313139-3	SHOULDER SLEEVE 6	2	PC.
	2		459895-2	SHOULDER SLEEVE 6	2	PC.
107			266041-8	TAPPING SCREW 5X25	2	PC.
108			423122-3	* CUSHION PLATE (Old)	3	PC.
109			213142-3	* O-RING 35 (Add)	1	PC.
200			158024-1	HOOK COMPLETE	1	PC.
<u>ACCESSORIES</u>		- See Catalogue or visit www.makita.ca for more accessories -				
A01			824789-4	PLASTIC CARRYING CASE	1	PC.
		INC.	324207-7	SHAFT	1	PC.
		INC.	417724-5	LATCH	2	PC.
		INC.	419216-0	HANDLE	1	PC.
A02	1		188500-1	HAMMER SERVICE KIT	1	PC.
	2		195194-5	HAMMER SERVICE KIT	1	PC.
A06			A-68161	SCRAPER ASSY, SDS-PLUS	1	PC.
A07			806524-2	HK1820 PLASTIC CASE LABEL	1	PC.

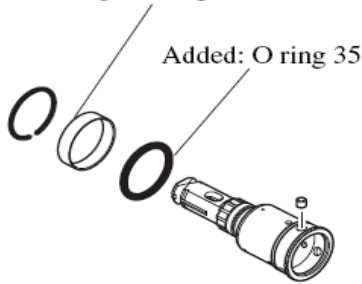
SERVICE CHANGES

1. Changes on Ring 39 and addition of O Ring 35

Item No.	Description	Type 1	Type 2
021	Ring 39	257290-8	257296-6
109	O Ring 35	-----	213142-3

Above parts are completely interchangeable as a set.

Changed: Ring 39



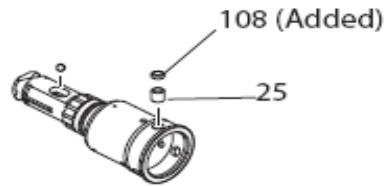
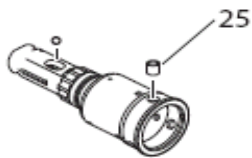
2. Changes on Pin 6, cushion plate, rod 3 and cylinder, etc.

Item No.	Description	Type 1	Type 2	Type 3
025	Pin 6	256266-2		268226-2
108	Cushion Plate	-----	423122-3	----
030	Rod 3		256833-3	256862-6
031	Cylinder		331804-2	331849-0
035	O Ring 26	213435-8		-----

Item No. 30 and Item No. 31 are interchangeable as a set.

Old (Type1 - Pin 6 and cushion plate)

Old (Type2 - Pin 6 and cushion plate)



New

